

The Line Shaft

The Official Newsletter of the

NORTH JERSEY ANTIQUE ENGINE & MACHINE CLUB

JULY 2016



President: Blace Flatt
(973) 663-1090

Vice President: Andy Mackey

862/432-1552

Treasurer: AnneMarie Baldwin

973/946-1726

Secretary: Mary Muys

973/534-6781

Our Web Address: njaemc.org

Founded on October 15th, 1979 by: Arthur Goble, Fred W. Westbrook, John Snook, Roy Bischoff & Lewis Quince

The June 9th meeting was held at the shed with 29 members attending. Blace was not in attendance and Andy led the meeting. AnneMarie read the treasurers report, several expenditures were voted on and accepted and there was a brief discussion on "costs" attached to the upcoming State Fair, raffle permits needed, etc.

If anyone needs badges for the Fair, a list was started at this meeting...be sure it includes your name...SEE INSERT. Also, we will be creating a **daily roster** for **each and every day** of the fair.

Dave Betts will be picking up the quilt to be raffled at the Fair (done as we go to print) and we will once again be raffling off a pedal tractor.

A major discussion topic was the shed, which needs "work" prior to the Fair...the July meeting will be starting a little earlier (6:30 PM) and we "will have" the shed open every Thursday night from 6:00PM - 9:00 PM thru July (starting July 7th) to accommodate this work!

Winnie and Milt Jager donated Jeff's *101 Massey Harris Tractor* to the club in his memory. Milt's Dad had originally purchased the tractor from the *Roy Company* in Branchville.

Bob Eckes passed out a small club logo for tractors participating in the **Sparta 4th of July Parade**...Bob will be the point of contact for the Parade and can be contacted at 201/874-6773 or eckesrobert@aol.com, if you are planning on participating.

We would like to thank the anonymous couple (by their request) who contributed \$100.00 to the club at the Branchville Memorial Day Parade on May 30th!



August 5-14 2016

We need volunteers to "work the shed"!

The July 14th meeting will be held at the SHED and will start at 6:30PM...

Lafayette Auto Parts Supply LLC.



17 Morris Farm Rd
Lafayette, NJ 07848

973-383-1717
973-383-1819

lafayetteautoparts@embarqmail.com



Lafayette Car, Truck & Equipment Show!

A Lafayette Day Event

June 4th 2016

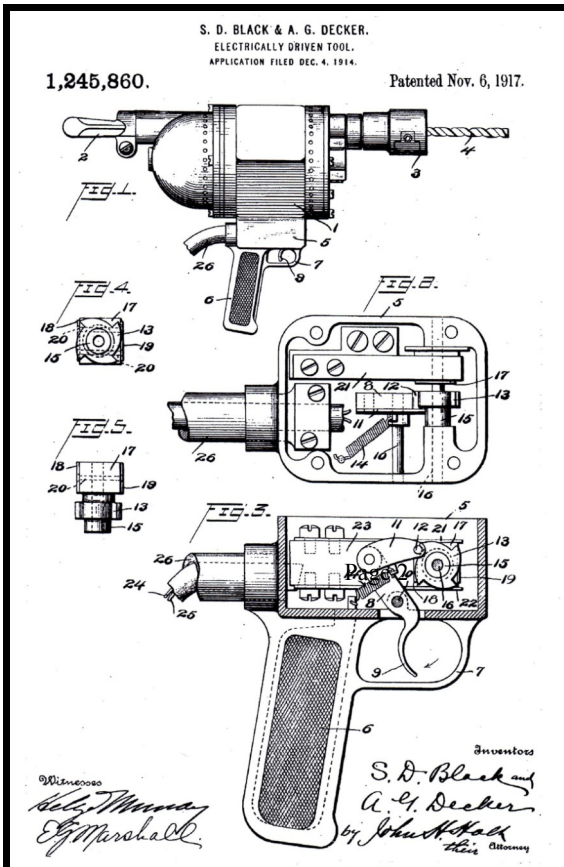
An interesting MIX of vehicles & a free lunch!



The 100th Birthday of the PORTABLE POWER DRILL!

This year marks the 100th anniversary of the Portable Power Drill's invention. In 1910, S. Duncan Black and Alonzo G. Decker opened a small machine shop in Baltimore Maryland. Among their clients was the COLT MANUFACTURING CO. of rifle and pistol fame. Electric drills were already in operation, but were large and stationary (think drill press) and were in use in heavy industrial, marine and manufacturing operations.

In 1916 BLACK & DECKER filed a patent application for a 1/2" portable power drill that one person could hold and operate. It had a universal electric motor and could run on both AC and DC (which was still popular in the early days of the 20th century...thank you Thomas Edison). Duncan and Alonzo were considering the design of the electric drill they were developing and trying to work out how the user could best hold the tool and control the drilling process. Nearby was a COLT handgun with its conventional pistol grip and trigger arrangement...problem solved! The light weight portable power drill was born.



These early drills were intended for industrial use, were aimed at professionals and were expensive. When B&D plant supervisors noticed employees taking the power drill home to use on home-projects, they recognized the do-it-yourself market potential of the new tool. By 1921 B&D had a full page ad running in the *Saturday Evening Post*, already a major magazine of the period, directed at a national consumer market...and by 1923 they were targeting "nonprofessionals" with a low-priced portable power drill.

In 2010, Black & Decker merged with Stanley Works to become STANLEY BLACK & DECKER.

The original portable drill, assembled in 1916, is at the National Museum of American History in Washington D.C.



Please patronize the local businesses that contributed to our club this past year. They are all right here in Sussex County and live in the community.

Tire King

Charley and Dan Kuperus at Tire King in Sussex, offer fast, professional, friendly service at the lowest prices east of the Delaware. Mention that you own an Oliver, like Oliver's or have seen one recently and you are treated like family. Tire King is more than just tires and offers a full range of services for your car, truck or tractor. Phone: 973- 875-5950

Ideal Farms

We are so fortunate to have a local farm that grows the quality produce like Jan, Ben and Ben Jr. provide. They also offer a variety of jellies, honey and other delicious local made food items. Stop in and check their garden center. You have to try their "out of this world " homemade donuts made fresh every day. Phone: 973-579-3393

The Plaza Barber Shop

Lenny Vance has been clipping local residents for 50 years in the same old barbershop located in the lake Mohawk Plaza. He knows all the latest fads and styles at a price you will not believe...just like the stories he may regale you with. No fancy colognes, hairdryers or chrome barber chairs, just a professional haircut at a fair price. Walk in anytime or call 973-726-9311

Wilson Coal and Supplies

Stop in and visit with the Wilson family on Limecrest Road to see the variety of stoves they have installed along with all the supplies you will need to heat your home. Judy will be more than pleased to answer any questions you may have regarding a new installation or issues with your current heating system. Be sure and ask to meet the newest addition to the family, "COAL" the black Lab. Call 973-729-5555 if you have any stove related questions.

Solar Tire & Automotive Service

Cruise through downtown Lafayette into the suburbs on 15 north and on your left will appear Solar Tire and Automotive. Founded in 1978 by Rudy Solar Sr. and now operated by his son Rudy Jr. They have been providing professional and honest service to the community for 38 years. Have a body dent? Then see him at Newton Auto body at 15 Jefferson St in Newton. In business since 2010, Rudy has nothing but positive reviews from his clients. It pays to do business locally. Solar Tire & Automotive: 181 Rt. 15 North—973-579-3355....Newton Auto body: 15 Jefferson St—973-300-3355

Chatterbox

You don't have to travel to one on those new fancy expensive hamburger joints at the mall to get a delicious hamburger. Great 1950's ambiance and friendly service with a menu that has entrées to please everyone in your family. Did someone say Milkshake? Open 7 day a week. Phone: 973-300-2300

Dustless Blasting
Eco-Friendly On-Site Blasting

Uses recycled glass and water

Free Estimates

CUSTOM METAL DESIGNS LLC
BY CLAYTON SQUIRE
201/602-3479



Telephone: 973/383-1717

A large variety of Automotive Parts, Paint, Tools, Batteries, Farm & Implement Parts, Bailing Twine, & Hydraulic Hoses!

Monday-Friday: 7:00 A.M. - 5:00 P.M.
Saturday: 8:00 A.M. - 12:00 P.M.

Lafayette Auto Parts Supply
17 Morris Farm Road
Lafayette, NJ 07848

